



S M A L L

3-POINT Actuators 2.13

Application

The JOVENTA **SMALL** electric damper-actuator series have been developed to operate small air dampers in ventilation and air conditioning systems. The compact design make this JOVENTA actuator highly versatile.

Key features

- 3-point control
- Load-independent running time
- Up to 5 actuators in parallel operation possible
- DA...1.4 with Halogen-free cable
- DA...1.4C with Plug-in terminal block connection
- Simple direct mounting with universal adapter for fitting to Ø 8...13 mm or with 8...10 mm square shaft. 35 mm minimum shaft length
- Selectable direction of rotation
- Manual release button
- Devices meet CE requirements

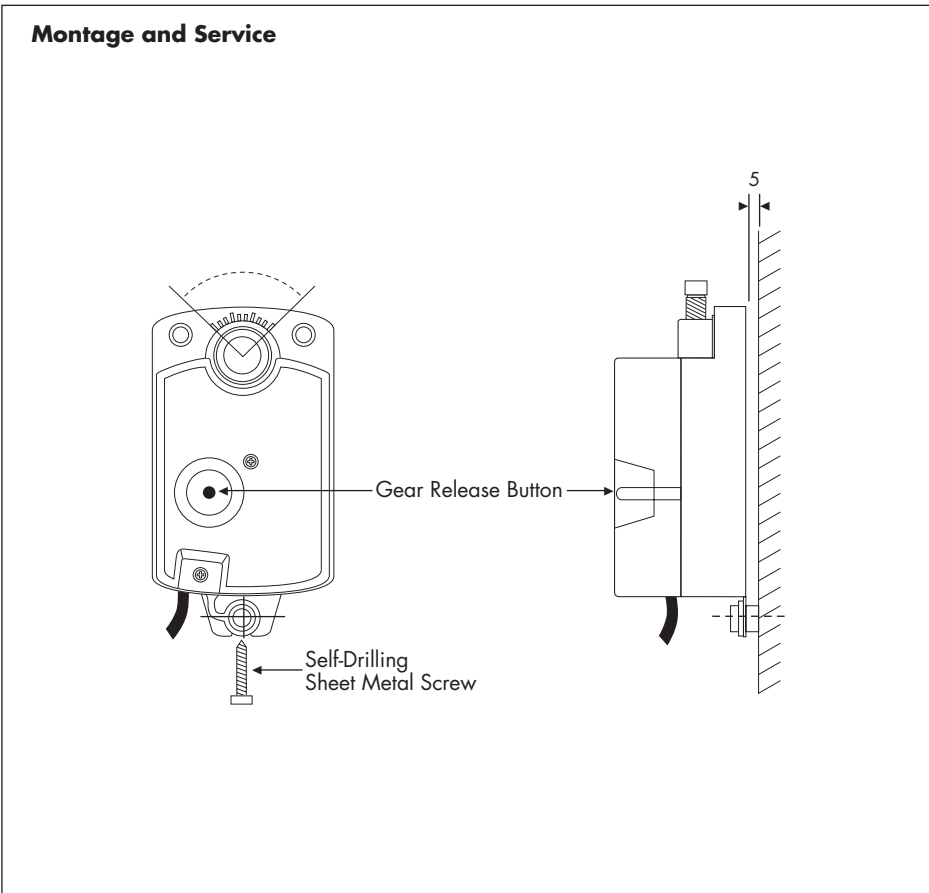
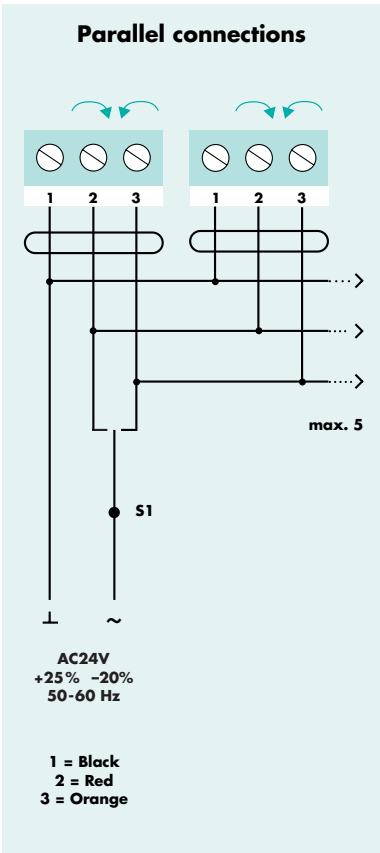
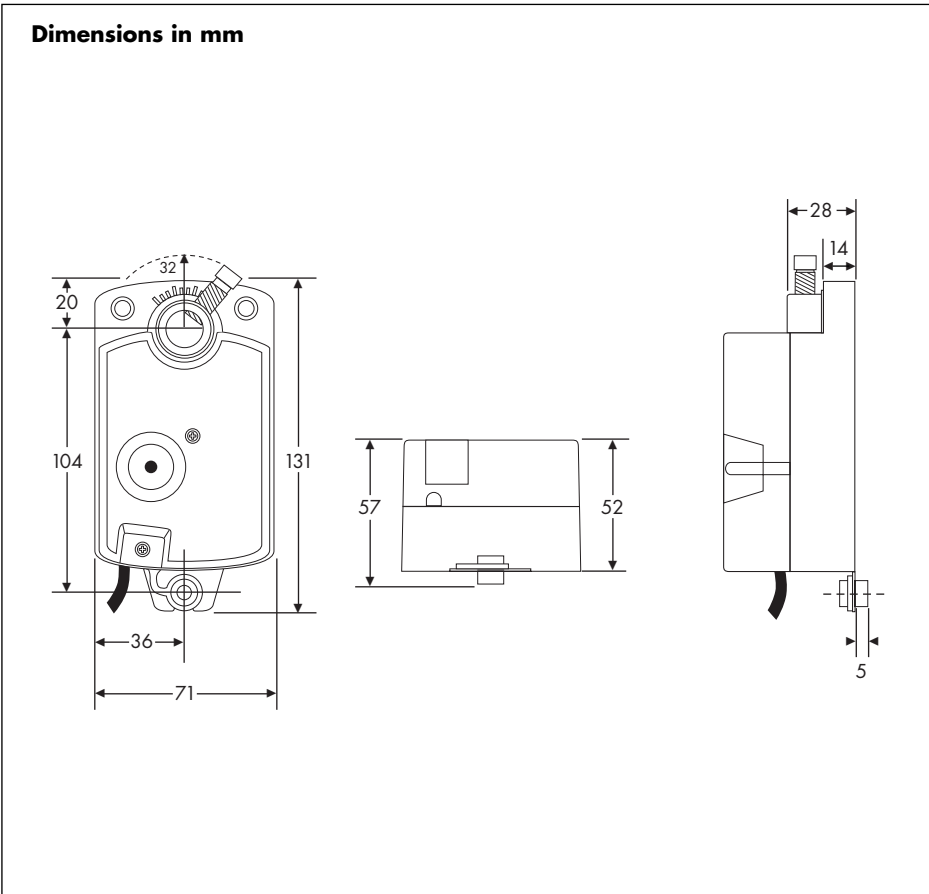
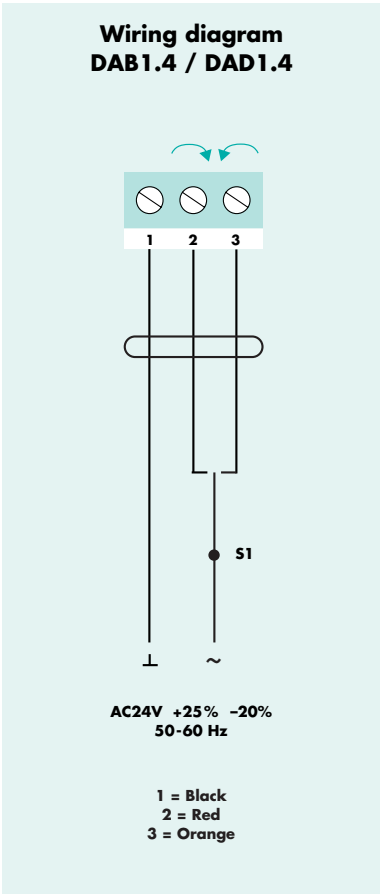
Nomenclature/Specification / Technical data

DAB1.4	2 Nm, AC24V with 1.2m Halogen-free cable
DAB1.4C	2 Nm, AC24V with Plug-in terminal block connection
DAD1.4	4 Nm, AC24V with 1.2m Halogen-free cable
DAD1.4C	4 Nm, AC24V with Plug-in terminal block connection

Actuator	DAB1.4	DAB1.4C	DAD1.4	DAD1.4C
Torque	2 Nm	2 Nm	4 Nm	4 Nm
Damper area*	0.4 m ²	0.4 m ²	0.8 m ²	0.8 m ²
Connection				
- Halogen-free cable	1.2 m		1.2 m	
- Plug-in terminal block		3-Pole		3-Pole
Running time	36 s	36 s	72 s	72 s
Supply voltage	AC24V +25%	-20%		
Frequency	50-60 Hz			
Power consumption				
- Running	1.8 W	1.8 W	2.2 W	2.2 W
- At end position	1.8 W	1.8 W	2.2 W	2.2 W
Dimensioning	1.8 VA	1.8 VA	2.2 VA	2.2 VA
Weight	0.5 kg			
Control signal	3-Point			
Position signal	none			
Angle of rotation / working range	93° < ±3° <			
Service lifetime ca.	100'000 rotations			
Noise level	35 dB (A)			
Protection class	II			
Degree of protection	IP 42			
Ambient conditions				
- Operating temperature	-0...+52°C / IEC 721-3-3			
- Storage temperature	-30...+65°C / IEC 721-3-2			
- Humidity	5...95% r.F. non condensing			
Service	Maintenance free			
Standards	Mechanics	EN 60 529 / EN 60 730-2-14		
	Electronics	EN 60 730-2-14		
	EMC Emissions	EN 50 081-1:92 / IEC 61 000-6-3:96		
	EMC Immunity	EN 50 082-2:95 / IEC 61 000-6-2:99		

S M A L L

3-POINT Actuators 2.13



For details of installation and commissioning see Manual